

# Weller®

## EXTRACTION ARMS AND NOZZLES





The arm concept is a **flexible, easily-built system** to catch the polluted air right at the source and prevent diffusion of unhealthy gases and particles into the workplace.

The different arm parts can be assembled in an infinite number of combinations to fit the **individual requirement**. They are suitable for applications where small, flexible extraction arms are required to catch fumes, gases and particles.

The extraction arms can be connected to the filter systems for best increased **mobility** and **minimized running costs**.

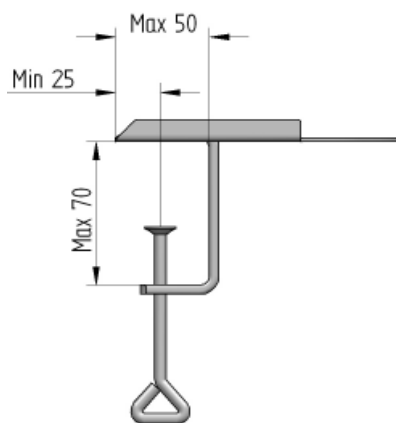
Weller has extraction arms with very **low pressure drop** for connection to central ventilation systems and mounting to ceilings, walls or the workbench.



ESD-safe

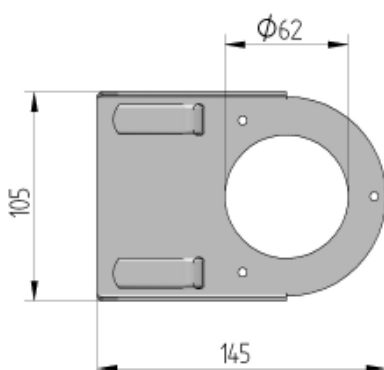
All the standard arms are **ESD approved** by SP (*Technical Research Institute of Sweden*) according to IEC 61340.

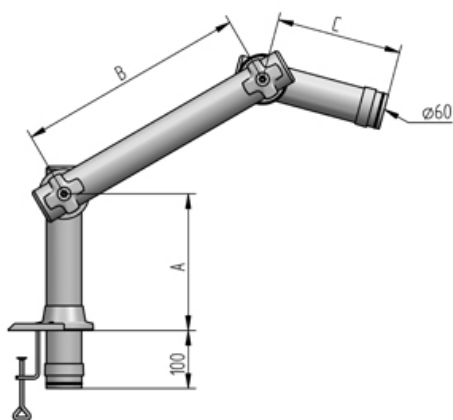
Suitable **applications** for the Weller arms are electronic industries with soldering and glueing.



The extraction arms can easily be mounted on a workbench or on a shelf.

Brackets in varnished, black sheet metal are available for mounting at the edge of the table or through a hole in the table.





Article no: 0053659899

**MATERIAL:**

Naturally anodized aluminium with joints in polypropylene and polyamide. At the end of the aluminium tubes there are quick connections made from polypropylene with "click-function" to easily assemble flexible hoses or nozzles.

**ARM WITH THREE JOINTS**

A (length in mm)	231
B (length in mm)	390
C (length in mm)	231

The **flexible hose** gives much more efficient usage allowing the nozzle to come as close to the source as possible. The flexible hose is easy and flexible enough to fix in the right position to catch the pollution quickly and effectively.

Delivered with quick-connections to fit aluminium parts and nozzles.



**MATERIAL:**

The flexible hose is manufactured in polystyrene with quick-connections in polyamide.

Soft flexible **connection hose** in PVC-covered polyamide and aluminium. Delivered with quick-connections to fit extraction arms and reducers.

Article no:

- 0058735427 Connection hose Ø 60 mm, length 1 m
- 0053657399 Connection hose Ø 60 mm, length 3 m



## Arms and nozzles



**Kit1S WF stative extraction arm, sloped nozzle**  
Art.no 0053657999



**Weller arm incl. sloped nozzle**  
Art.no 0053657299



**Weller arm incl. funnel nozzle**  
Art.no 0053657199



**Stative extraction arm**  
Art.no 0053659899



**Funnel nozzle**  
Art.no 0053657399



**Sloped nozzle**  
Art.no 0053657799