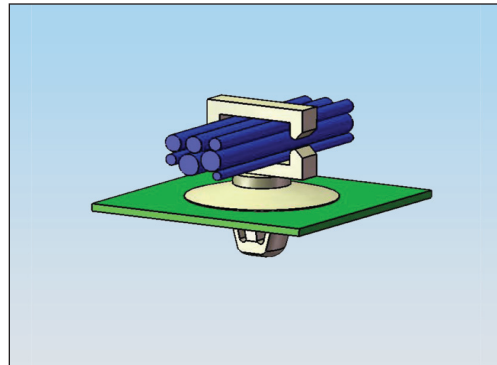


Introducing the **SIDE ENTRY WIRE SADDLE**

Part number: **WS-SE-A-4 series**

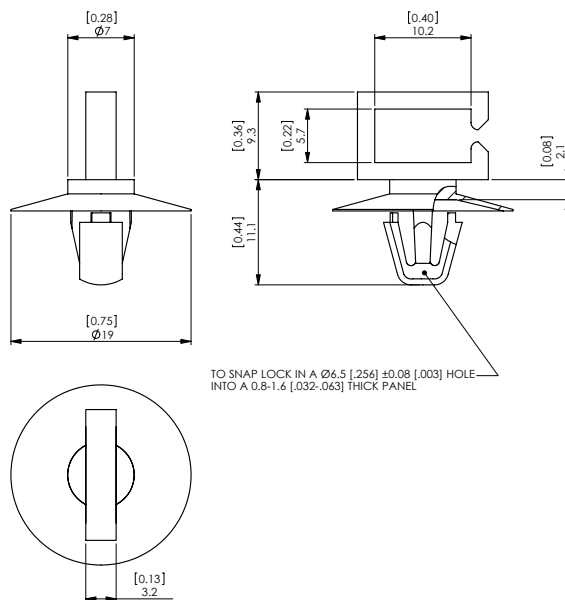
Features & Benefits:

- Side entry for confined access applications
- Cup fix provides dust ingress
- Cup fix holds securely in environments prone to vibration
- Easy side entry design on the wings
- Requires 6.5mm hole size
- Up to 150 °C operating temperature for the heat stabilized version



Markets:

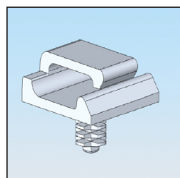
- White goods
- Automotive
- Heating ventilation and air-conditioning
- Medical apparatus
- Telecommunication



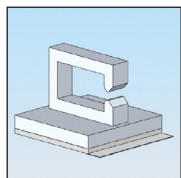
Part No.	Colour: Natural Material:	Standard Pack:
WS-SE-A-4-01	Nylon (RMS-01)	1000 per bag
WS-SE-A-4-109	Nylon (RMS-109)	1000 per bag



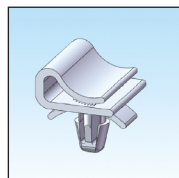
Other related Richco product solutions:



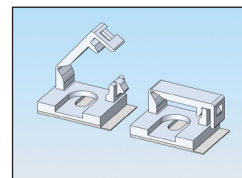
MBHWSSE



WS-SE-B



CFCCA



WSLTB

FOR FURTHER INFORMATION AND FREE SAMPLES PLEASE CONTACT YOUR LOCAL RICHCO OFFICE

Richco UK (Int'l HQ) Tel: (44) 1474 327527

Richco Benelux Tel: (31) 334556262

Richco Germany Tel: (49) 8171 43280

Richco Finland Tel: (358) 925221500

Richco France Tel: (33) 47208 7140

Richco Spain Tel: (34) 90222 2250

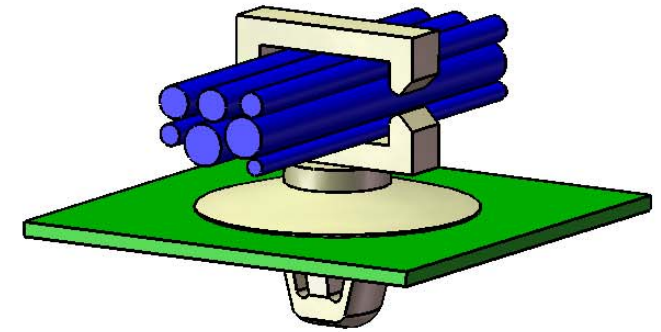
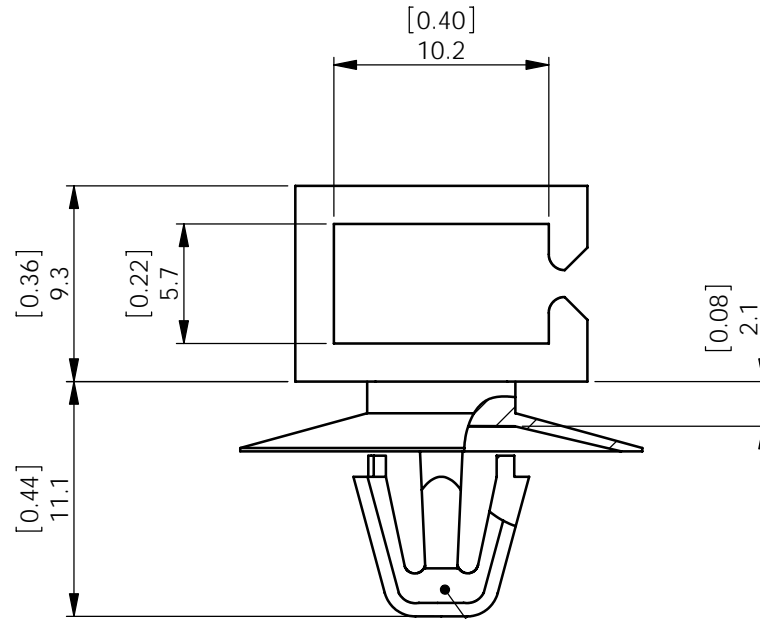
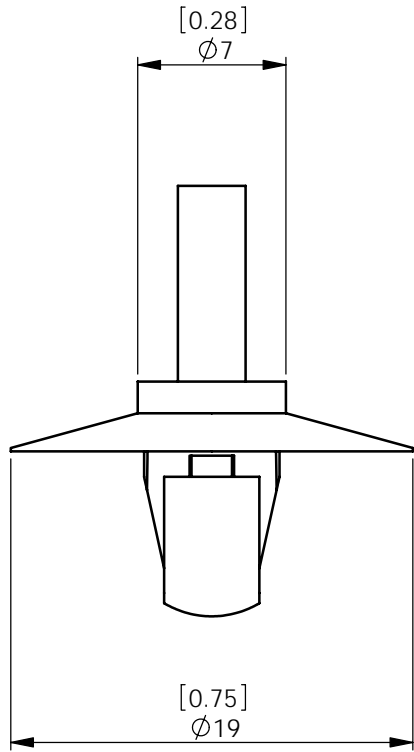
Richco Italy Tel: (39) 051 6325 266

Richco Sweden Tel: (46) 845 99800



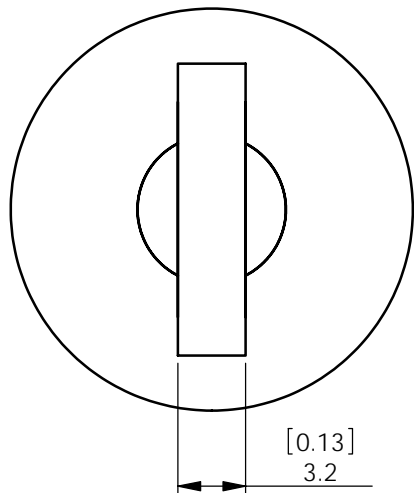
A B C D E F

REV.	MODIFICATION.	DATE	DRN
01	PRODUCTION RELEASED	23/08/04	OW
02	ECN2005-073	20/06/05	OW
03	ECN2005-112	10/10/05	OW
04	ECN2007-129	09/08/07	OW
05	ECN2008-023	04/02/08	TC



APPLICATION VIEW

TO SNAP LOCK IN A $\varnothing 6.5$ [0.256] ± 0.08 [0.003] HOLE INTO A 0.8-1.6 [0.032-.063] THICK PANEL

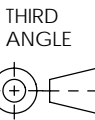


PART NUMBER	MATERIAL
WS-SE-A-4-01	NYLON 6/6 UL94 V-2 (RMS-01)
WS-SE-A-4-109	NYLON 6/6 UL94 V-2 HEAT STAB (RMS-109)

INFORMATION CONTAINED IN THIS DOCUMENT IS CONFIDENTIAL TO RICHCO INTERNATIONAL Co. Ltd. AND MAY NOT BE DISCLOSED OR REPRODUCED IN WHOLE OR PART WITHOUT THEIR WRITTEN CONSENT.



ALL DIMENSIONS IN mm & [INCH]
 GENERAL TOLERANCES ± 0.25 [0.010]
 UNLESS OTHERWISE STATED
 1 DECIMAL PLACE ± 0.25 [0.010]
 2 DECIMAL PLACES ± 0.10 [0.004]
 ANGULAR $\pm 1^\circ$



MATERIAL:		SEE TABLE		COLOR:		NATURAL	
DESCRIPTION:				EDGE WIRE SADDLE CUPPED ARROWHEAD		PART No:	
DRG No:				04-087		NPR No:	
				2004-118 & 349		Mass:(g)	
				0.7		SHEET SIZE	
				A4		PART No:	
				WS-SE-A-4-XX		SCALE	
				NTS		SHEET No.	
				1 OF 1			

A B C D E F FORM No. 0178/00