

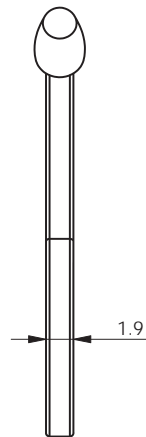
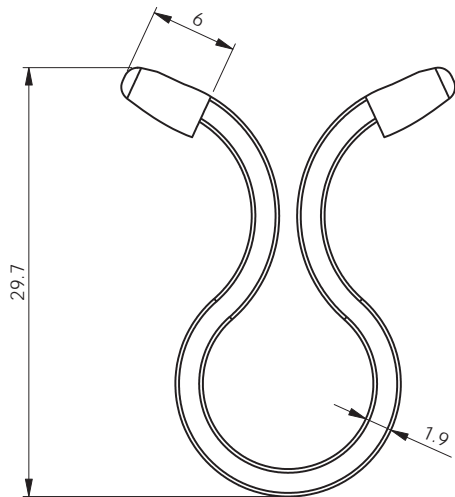
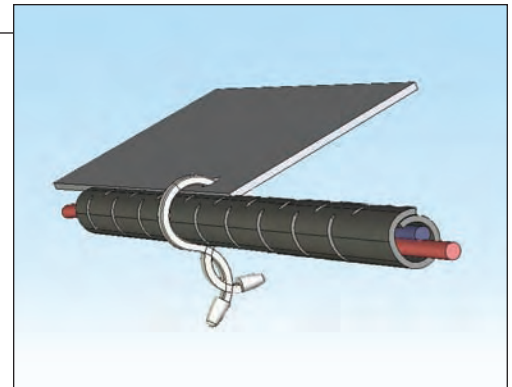


Introducing the Barbed Tip Twist Lock

Part number: **TL-BT-450 series**

Features and Benefits:

- Simply twist to secure wire bundles
- To remove or add to the bundle, simply un-twist
- Barbed-tip allows to guide through a 4mm hole and fix the bundle to a panel
- Bundle diameter 10.2-12.7mm



Markets:

- Consumer electronics
- Telecommunications
- Heating, ventilation air-conditioning
- White goods

Part No.	Bundle diameter	Standard Pack:	Colour: Natural Material:
TL-BT-450-01	10.2-12.7	1000 per bag	NYLON 6/6 UL 94 V2 (RMS-01)
TL-BT-450-19	10.2-12.7	1000 per bag	NYLON 6/6 UL 94 V0 (RMS-19)

Other Related Richco Product Solutions:



TL



KL



SPN



FTH-31



FOR FURTHER INFORMATION AND FREE SAMPLES PLEASE CONTACT YOUR LOCAL RICHCO OFFICE

Richco UK (Int'l HQ) Tel: (44) 1474 327527

Richco Benelux Tel: (31) 334556262

Richco Germany Tel: (49) 8171 43280

Richco Finland Tel: (358) 925221500

Richco France Tel: (33) 47208 7140

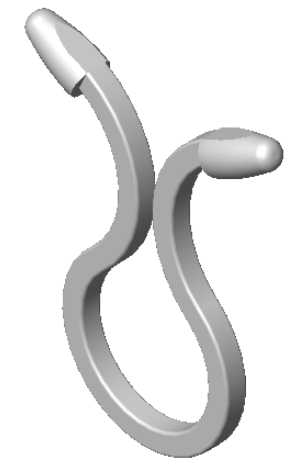
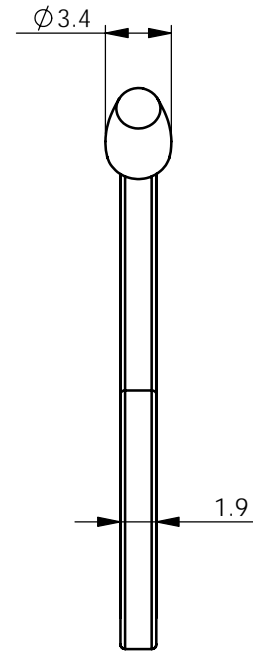
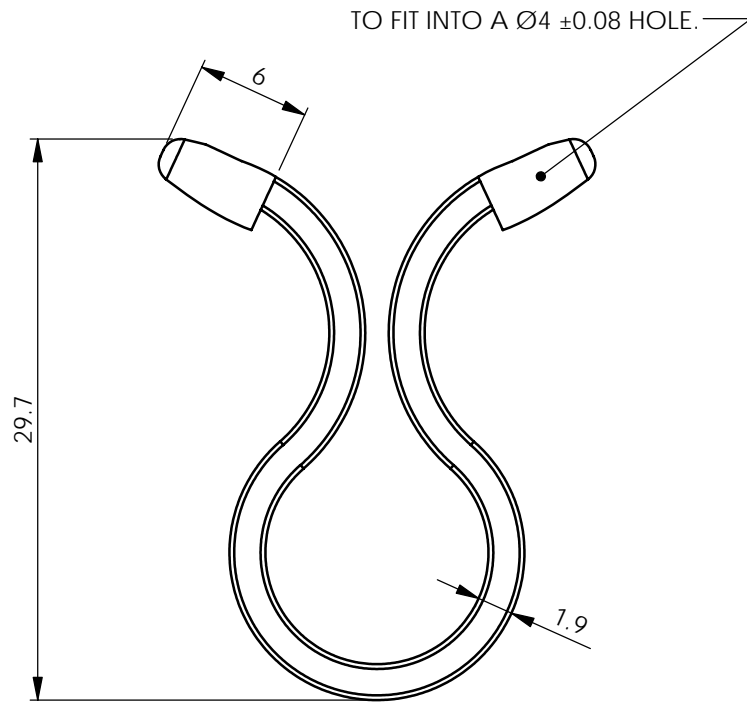
Richco Spain Tel: (34) 90222 2250

Richco Italy Tel: (39) 051 6325 266

Richco Sweden Tel: (46) 845 99800



REV.	MODIFICATION.	DATE	DRN
01	GENERAL RELEASE	06/11/07	OW



- NOTES:
 1. TO SUIT 10.2 TO 12.7 BUNDLE Ø

INFORMATION CONTAINED IN THIS DOCUMENT IS CONFIDENTIAL TO RICHCO INTERNATIONAL Co. Ltd. AND MAY NOT BE DISCLOSED OR REPRODUCED IN WHOLE OR PART WITHOUT THEIR WRITTEN CONSENT.

	ALL DIMENSIONS IN mm GENERAL TOLERANCES ±0.25 UNLESS OTHERWISE STATED 1 DECIMAL PLACE ±0.25 2 DECIMAL PLACES ± 0.10 ANGULAR ±1°	THIRD ANGLE

MATERIAL:	SEE TABLE	COLOUR:	NATURAL
-----------	-----------	---------	---------

DESCRIPTION:	TWIST LOCK - BARBED TIP	PART No:	SEE TABLE
--------------	-------------------------	----------	-----------

DRG No:	07-123	NPR No:	2007-420	Mass:(g)	0.4	SHEET SIZE	A4
---------	--------	---------	----------	----------	-----	------------	----

DRN	DATE	CHKD	DATE	SCALE	SHEET No.
OW	06/11/07	SF	06/11/07	NTS	1 OF 1

TL-BT-450-19	NYLON 6/6 FR UL 94 V0 (RMS-19)
TL-BT-450-01	NYLON 6/6 UL 94 V2 (RMS-01)
PART No.	MATERIAL