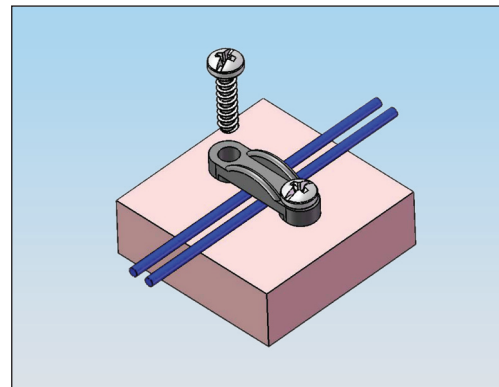


Introducing the STRAIN RELIEF CLAMP

Part number: **SRCC-2**

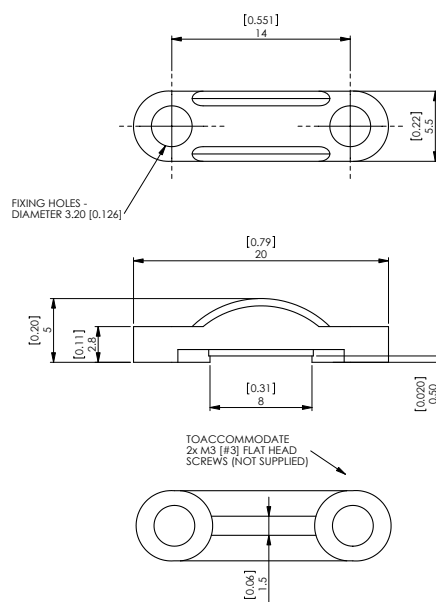
Features & Benefits:

- Flat design to save space
- Bridge shaped design for additional strength
- Fit with #3 and M3 screws



Markets:

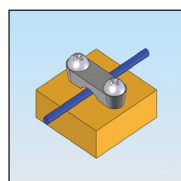
- Heating ventilation and air-conditioning
- Electronic appliances
- White goods
- Telecommunication



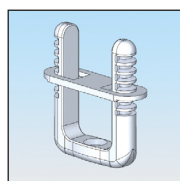
Material: Nylon (RMS-01), Colour: Black	Standard Pack: 1000 per bag
Part No.	SRCC-2



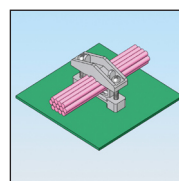
Other related Richco product solutions:



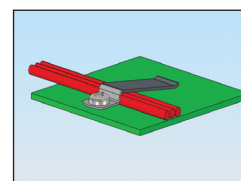
SRCC-1



D



HMCC



STCV

FOR FURTHER INFORMATION AND FREE SAMPLES PLEASE CONTACT YOUR LOCAL RICHCO OFFICE

Richco UK (Int'l HQ) Tel: (44) 1474 327527

Richco Benelux Tel: (31) 334556262

Richco Germany Tel: (49) 8171 43280

Richco Finland Tel: (358) 925221500

Richco France Tel: (33) 47208 7140

Richco Spain Tel: (34) 90222 2250

Richco Italy Tel: (39) 051 6325 266

Richco Sweden Tel: (46) 845 99800



