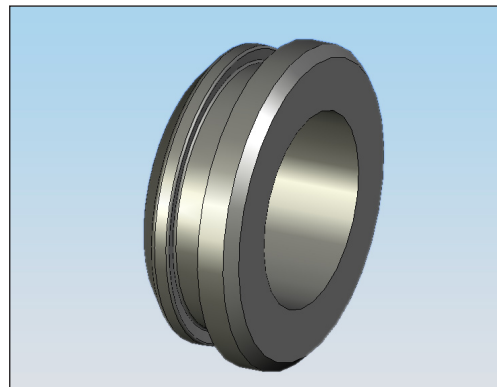


Introducing the SEALING GROMMET

Part number: QFG series

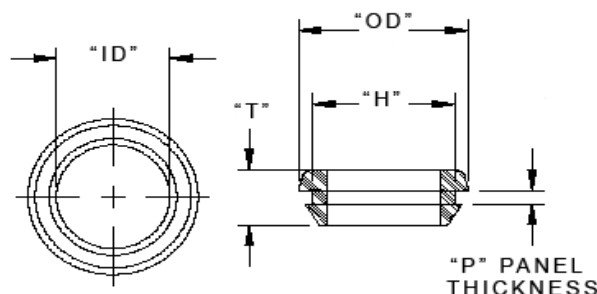
Features & Benefits:

- Flat front design
- Snaps securely and quickly into position
- Shore Hardness - Shore A 55±5
- Continuous working temperature: 100 C°
- Requires 3.5mm panel thickness



Markets:

- Vending equipment
- Electronical appliances
- White goods
- Telecommunication
- Heating ventilation and air-conditioning

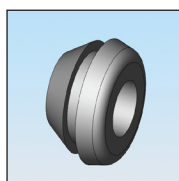


Material: Silicone Rubber, RMS-368; Colour: Black	Standard Pack: 1000 per bag	Panel Thickness "P"	Hole Size "H"	Inside Diameter "ID"	Outside Diameter "OD"
Part No.	QFG-1	3.5	18.5-20	13	24.5
Part No.	QFG-2	3.5	25-26	18	29.5

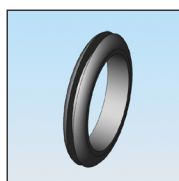
all dimensions in mm



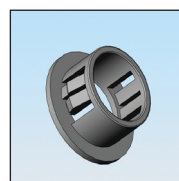
Other related Richco product solutions:



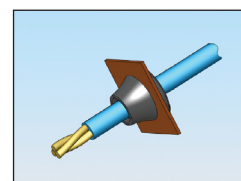
QFG



HG



PGSB



LTG

FOR FURTHER INFORMATION AND FREE SAMPLES PLEASE CONTACT YOUR LOCAL RICHCO OFFICE

Richco UK (Int'l HQ) Tel: (44) 1474 327527

Richco Benelux Tel: (31) 334556262

Richco Germany Tel: (49) 8171 43280

Richco Finland Tel: (358) 925221500

Richco France Tel: (33) 47208 7140

Richco Spain Tel: (34) 90222 2250

Richco Italy Tel: (39) 051 6325 266

Richco Sweden Tel: (46) 845 99800

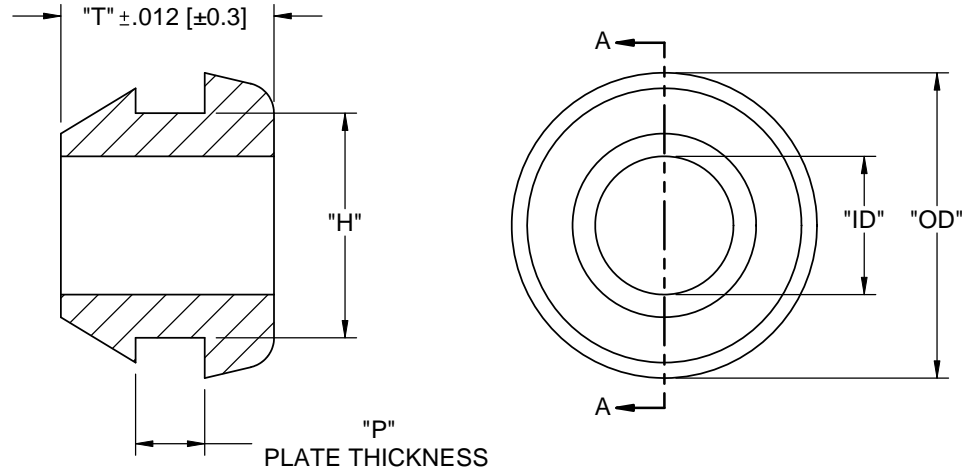


PART NO. "T"=11.4 [.449] "P"=3.5 MAX [.138]	HOLE SIZE "H"	INSIDE DIAMETER "ID"	OUTSIDE DIAMETER "OD"	MATERIAL
**QFG-1	18.5-20 [.728-.787]	13±0.25 [.512]	24.5±0.25 [1.00]	SILICONE RUBBER SHORE 55 A, (RMS-368)
**QFG-2	25-26 [.984-1.024]	18±0.25 [.709]	29.5±0.25 [1.16]	

**PART DESIGNED IN METRIC, IMPERIAL DIMENSIONS FOR REFERENCE ONLY.

PART NO. "T"=.315 [8] "P"=.06 [1.5]	PART NO. "T"=.375 [9.5] "P"=.12 [3]	HOLE SIZE "H"	INSIDE DIAMETER "ID"	OUTSIDE DIAMETER "OD"
*QFG-16200	*QFG-16220	.39 [10]	.24 [6]	.53 [13.5]
*QFG-16201	---	.43 [11]	.28 [7]	.57 [14.5]
---	*QFG-16222	.47 [12]	.32 [8]	.61 [15.5]
*QFG-16203	QFG-16223	.55 [14]	.39 [10]	.69 [17.5]
*QFG-16204	*QFG-16224	.63 [16]	.47 [12]	.77 [19.5]
QFG-16205	---	.71 [18]	.55 [14]	.85 [21.5]
*QFG-16207	---	.87 [22]	.71 [18]	1.00 [25.4]
---	*QFG-16228	1.02 [26]	.87 [22]	1.16 [29.5]
QFG-16209	QFG-16229	1.10 [28]	.94 [24]	1.24 [31.5]

*SEE NOTE 2.



SECTION A-A
SCALE 3 : 1

NOTES:

1. MATERIAL: PVC (RMS-25)
COLOR: BLACK.
- *2. MATERIAL: THERMOPLASTIC ELASTOMER UL 94 HB (RMS-262)
COLOR: BLACK.

REV.			DESCRIPTION			ENGR.			DATE			TITLE: QUICK-FIT GROMMET				DWG IN IN [MM]		FINAL	
G	SEE CO 200149 FOR CHANGES		SK	04/10/08		CREATED USING SOLIDWORKS			FILE #: QFG		DWN: SK		APP: RT		PART #		PRINT TYPE		
F	SEE CO 200041 FOR CHANGES		SK	09/28/07		TOLERANCES UNLESS NOTED			SHEET: 1 OF 1		SHEET SIZE: A		DT: 10/11/05						CHKD: DZ
E	SEE CO 200017 FOR CHANGES		SK	09/17/07		.XX=±.010			RE: RICHCO, INC.		RICHCO, INC.		ENG@RICHCO-INC.COM		SEE TABLE		CA		
D	COMPLETELY REDRAWN, SEE ECN #1074		SK	10/11/06		.XXX=±.005													FRAC.=±1/64
-	SEE ENGINEERING FOR REV A-C		---	---															