

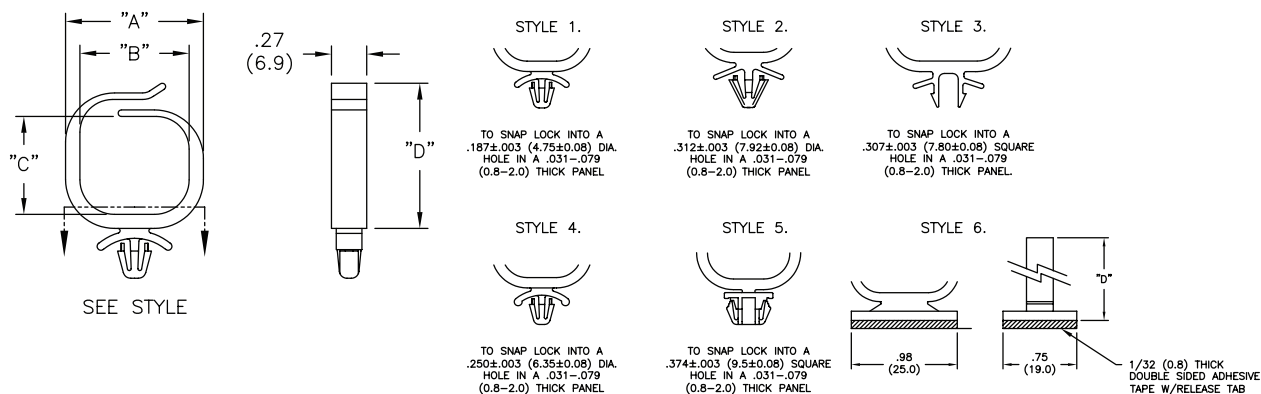
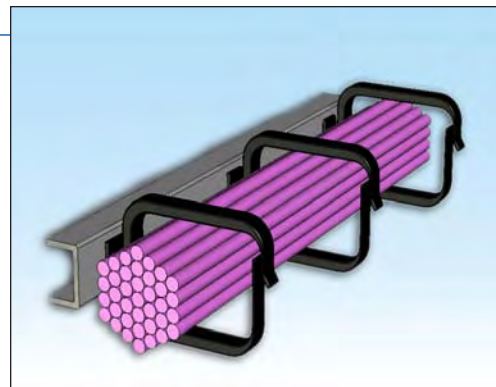


### Introducing the Optical Fiber Network Saddle

Part number: **OFNS** - line extension

#### Features and Benefits:

- No stress applied to cables upon entry
- Fits wide range of panel thickness
- Bundle diameter up to 40mm
- Smooth rounded corners
- Various fixing styles
- Available in RMS-19
- Available in black by special order



Part No.		Color: Natural					Standard Pack				
"A" Ref.	"B" Ref.	"C" Ref.	"D" Ref.	Style							
Nylon 6/6, RMS-01	UL94 V0 Nylon, RMS-19										
OFNS-13-187-01	OFNS-13-187-19	26.8	21.2	19	28.2	1	1000 per bag				
OFNS-13-312-01	OFNS-13-312-19					2					
OFNS-13-250-01	OFNS-13-250-19					4					
OFNS-13-S9.5M-01	OFNS-13-S9.5M-19					5					
OFNSB-13-01A-RT	OFNSB-13-19A-RT					6					
OFNS-16-187-01	OFNS-16-187-19					1					
OFNS-16-312-01	OFNS-16-312-19	34.3	28.7	25.1	34.4	2					
OFNS-16-S307-01	OFNS-16-S307-19					3					
OFNS-16-S9.5M-01	OFNS-16-S9.5M-19					5					
OFNSB-16-01A-RT	OFNSB-16-19A-RT					6					
OFNS-28-S9.5M-01	OFNS-28-S9.5M-19					43	33.7	44	54.6	5	500 per bag

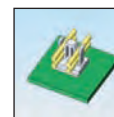
#### Markets:

- Telecommunications
- Consumer electronics

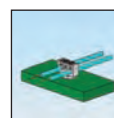
#### Other Related Richco Product Solutions:



OFSB



OFHB2



OFB-BH



MOFNSA



FOR FURTHER INFORMATION AND FREE SAMPLES PLEASE CONTACT YOUR LOCAL RICHCO OFFICE

Richco UK (Int'l HQ) Tel: (44) 1474 327527

Richco Benelux Tel: (31) 334556262

Richco Germany Tel: (49) 8171 43280

Richco Finland Tel: (358) 925221500

Richco France Tel: (33) 47208 7140

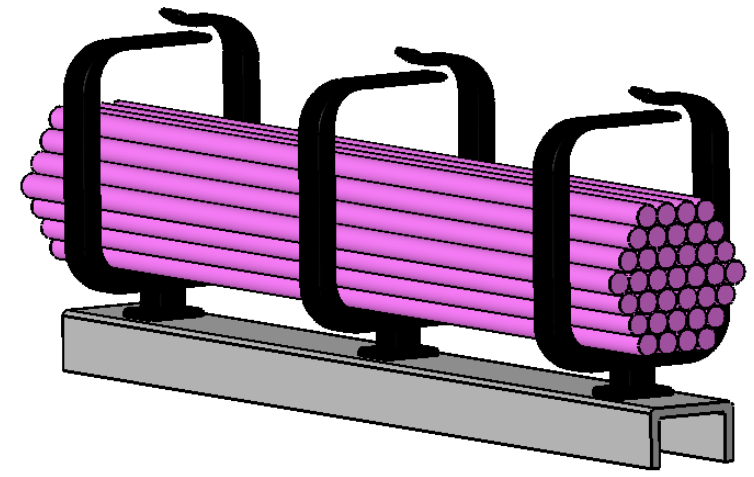
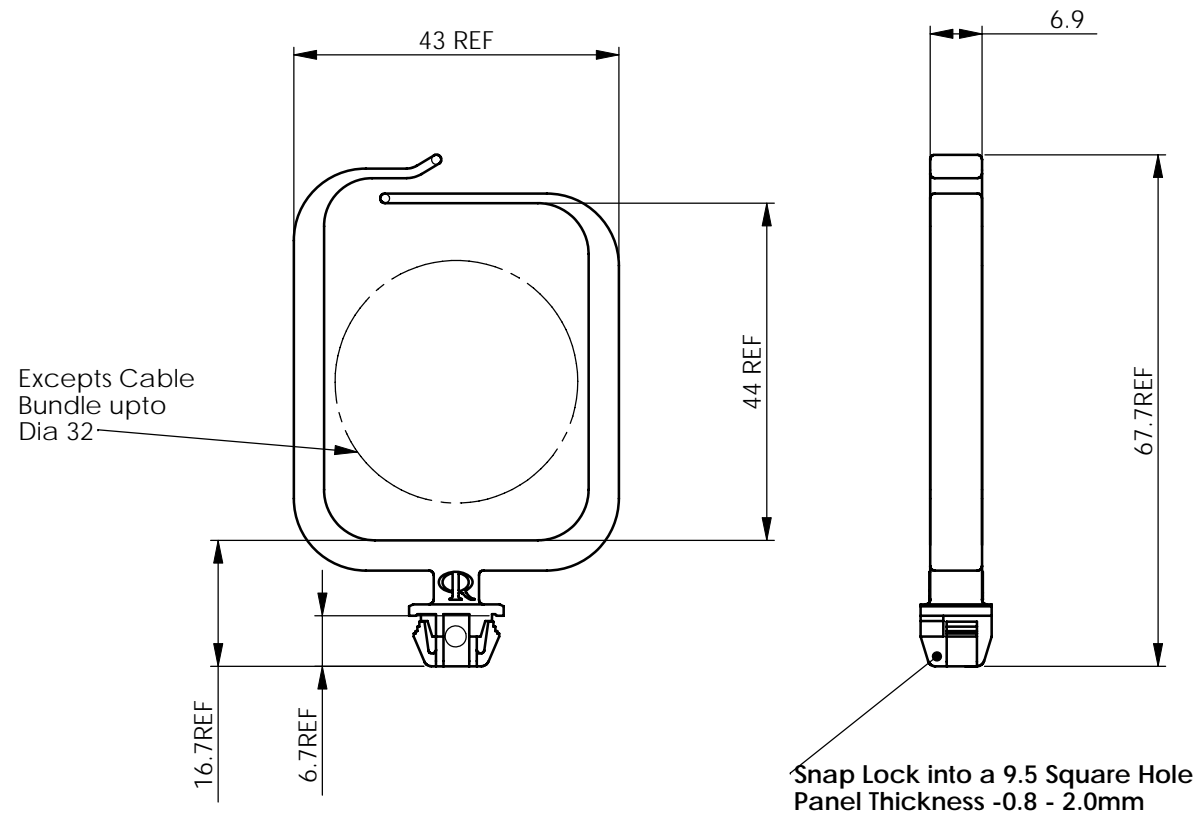
Richco Spain Tel: (34) 90222 2250

Richco Italy Tel: (39) 051 6325 266

Richco Sweden Tel: (46) 845 99800

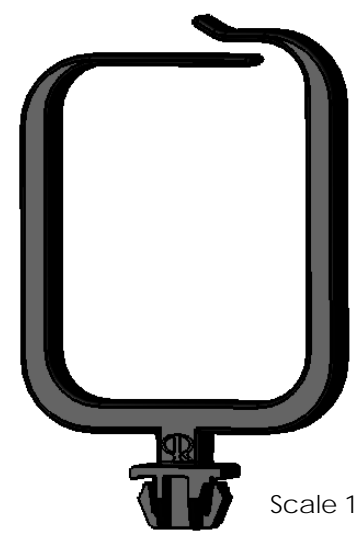


REV.	MODIFICATION.	DATE	DRN
01	Production Release	09/09/08	PH
02	CO 2010394	17/09/08	PH



Excepts Cable Bundle upto Dia 32

Snap Lock into a 9.5 Square Hole Panel Thickness -0.8 - 2.0mm



Scale 1:1

PART NUMBER	MATERIAL
OFNS-28-S9.5M-01	NYLON 6/6 - RMS01
OFNS-28-S9.5M-19	NYLON 6/6 V0 - RMS 19

INFORMATION CONTAINED IN THIS DOCUMENT IS CONFIDENTIAL TO RICHCO INTERNATIONAL Co. Ltd. AND MAY NOT BE DISCLOSED OR REPRODUCED IN WHOLE OR PART WITHOUT THEIR WRITTEN CONSENT.

		ALL DIMENSIONS IN mm GENERAL TOLERANCES $\pm 0.25$ UNLESS OTHERWISE STATED 1 DECIMAL PLACE $\pm 0.25$ 2 DECIMAL PLACES $\pm 0.10$ ANGULAR $\pm 1^\circ$		THIRD ANGLE 	
		MATERIAL: SEE TABLE			COLOUR: <b>NATURAL</b>
DESCRIPTION: OPTICAL FIBER NETWORK SADDLE 10mm OFF STAND			PART No: SEE TABLE		
DRG No: 08-087		NPR No: FN08-0004		Mass:(g) 5.2	SHEET SIZE A4
DRN PH	DATE 14/05/08	CHKD TC	DATE 30/05/08	SCALE NTS	SHEET No. 1 OF 1