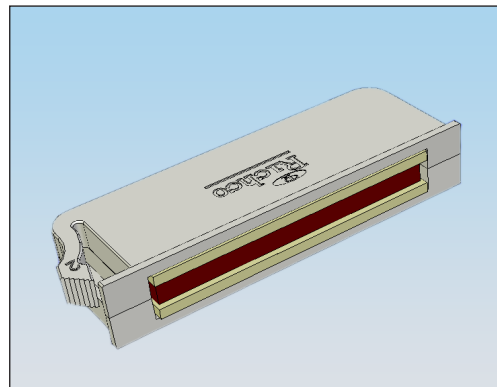


## Introducing the **MAGNETIC LATCH**

Part number: **ML-L-2**

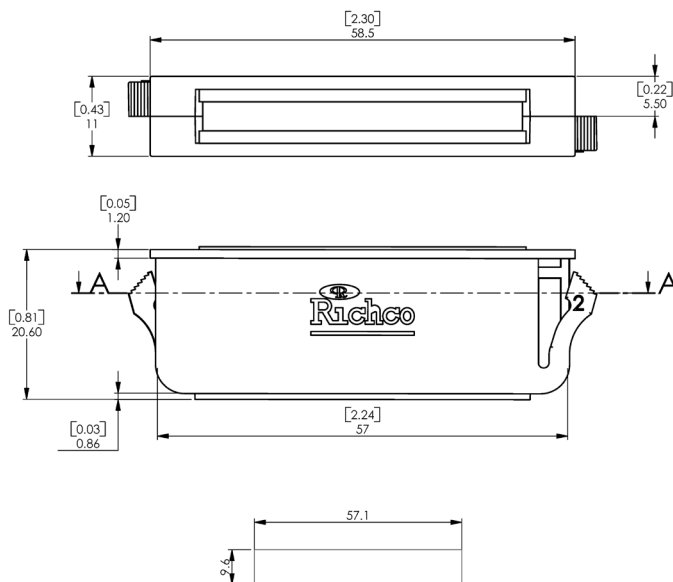
### Features & Benefits:

- Holds metal doors or a steel striker fixed to a non-metallic surface
- Quick snap-in installation in a single mounting hole
- Relatively low breakaway forces hold lighter doors firmly shut, yet allows easy opening or closing
- Rectangular mounting hole: Width: 57.1mm ± 0.1mm, height: 9.6mm ± 0.1mm, panel thickness: 2-3.5mm



### Markets:

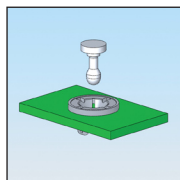
- Automotive
- Caravans
- Displays, POS, POP systems
- Vending Machines
- Electronic enclosures
- Heating ventilation and air-conditioning



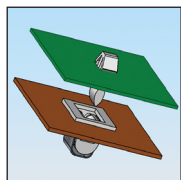
Material: Polypropylene (RMS-08), Colour: White	Standard Pack: 10 per bag
Part No.	ML-L-2



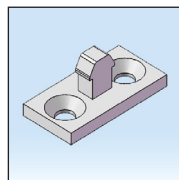
### Other related Richco product solutions:



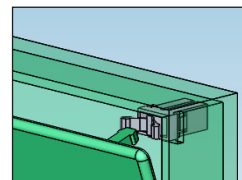
**CS**



**DCS**



**DLS-2**



**DL-1**

**FOR FURTHER INFORMATION AND FREE SAMPLES PLEASE CONTACT YOUR LOCAL RICHCO OFFICE**

Richco UK (Int'l HQ) Tel: (44) 1474 327527

Richco Benelux Tel: (31) 334556262

Richco Germany Tel: (49) 8171 43280

Richco Finland Tel: (358) 925221500

Richco France Tel: (33) 47208 7140

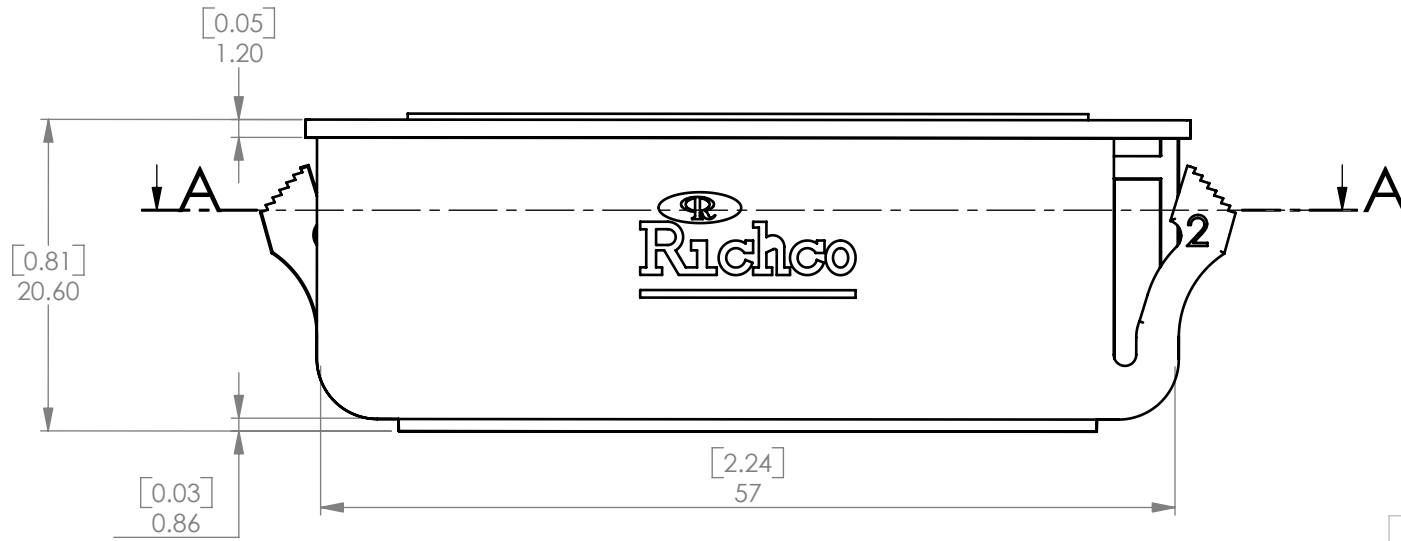
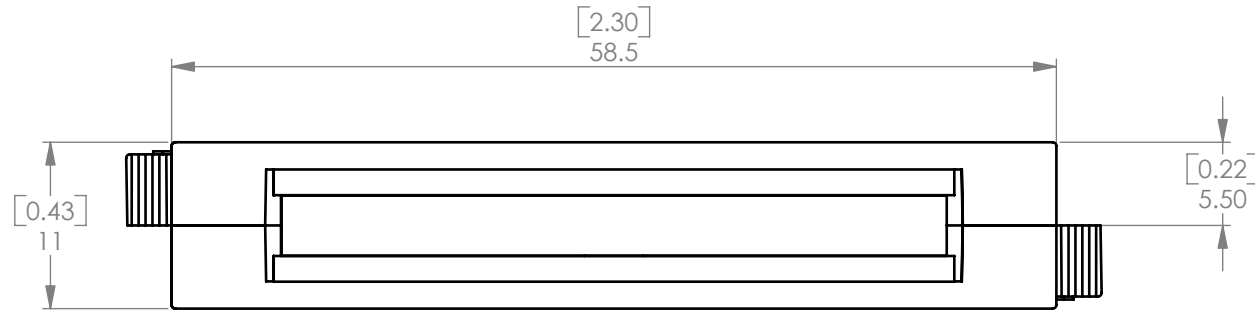
Richco Spain Tel: (34) 90222 2250

Richco Italy Tel: (39) 051 6325 266

Richco Sweden Tel: (46) 845 99800



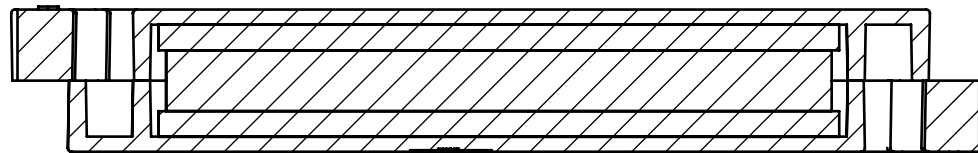
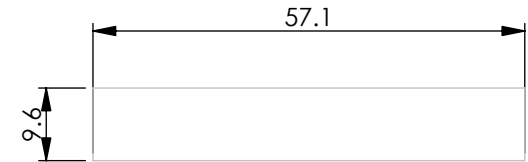
REV.	MODIFICATION.	DATE	DRN
01	Production Release	20/1/06	TC
02	ECN2007-174	03/10/07	SF



NOTES!

Fits Rectangular hole  
 57.1mm +/- 0.1mm Wide  
 9.6mm +/- 0.1mm High  
 Panel Thickness 2mm Min - 3.5mm Max

MOUNTING HOLE DETAILS



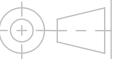
SECTION A-A  
SCALE 2 : 1

INFORMATION CONTAINED IN THIS DOCUMENT IS CONFIDENTIAL TO RICHCO INTERNATIONAL Co. Ltd. AND MAY NOT BE DISCLOSED OR REPRODUCED IN WHOLE OR PART WITHOUT THEIR WRITTEN CONSENT.



ALL DIMENSIONS IN mm  
 GENERAL TOLERANCES ±0.25  
 UNLESS OTHERWISE STATED  
 1 DECIMAL PLACE ±0.25  
 2 DECIMAL PLACES ± 0.10  
 ANGULAR ±1°

THIRD ANGLE



MATERIAL: <b>POLYPROPYLENE (RMS-08)</b>		COLOUR: <b>WHITE</b>	
DESCRIPTION: <b>MAGNET HOLDER</b>		PART No: <b>ML-L-2</b>	
DRG No: <b>06-009</b>	NPR No: <b>2005-038</b>	Mass:(g) <b>3.5</b>	SHEET SIZE <b>A4</b>
DRN <b>TC</b>	DATE <b>19/08/05</b>	CHKD <b>TC</b>	DATE <b>20/1/06</b>
SCALE <b>NTS</b>		SHEET No. <b>2 OF 2</b>	