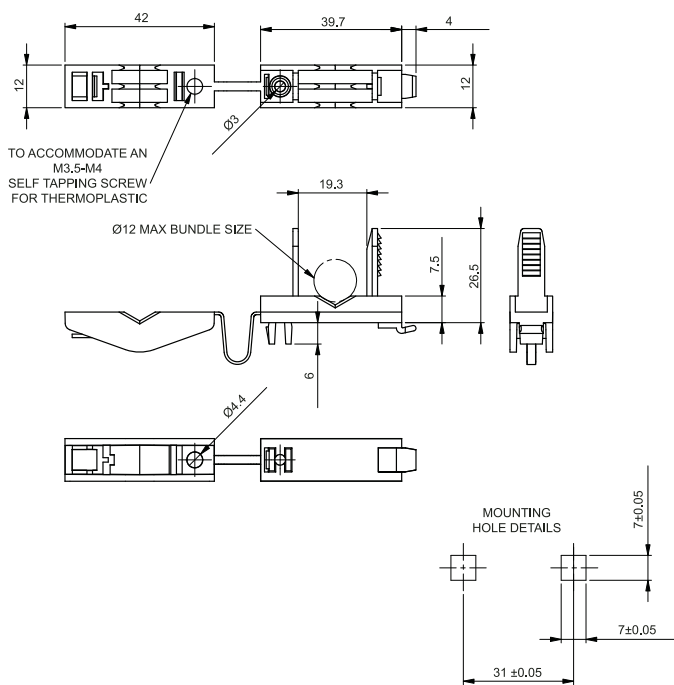
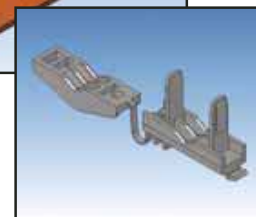
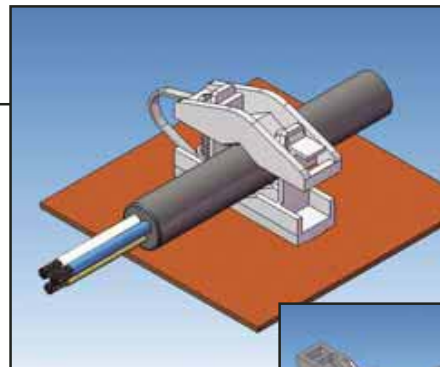


## Introducing the **HMCC-4-01BK**— Hinged Main Cable Clamp, One Screw Mounted

### Features and Benefits

- 1 Screw version minimizes inventory and assembly costs
- Easy to install clamp slides into holes in the chassis
- Clamp protects the lead wires or cables as well as providing exceptional strain relief
- Top of clamp ratchets down to the desired cable bundle diameter
- Clamp locks into the holes for pre-assembly



### Caratteristiche e benefici:

- Il fissaggio a una vite riduce i costi di assemblaggio e inventario
- Facile installazione: la clip scorre nei fori del telaio
- Protegge i cavi e ne assicura il fissaggio
- La parte superiore del particolare si adatta al diametro dei cavi
- La clip si fissa in fori per il preassemblaggio

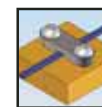
### Other Related Richco Product Solutions



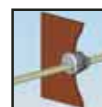
HMCC-3



D



SRCC



SRB



SB



MLC

Material: UL94 V2 Nylon 6/6, RMS-01* Color: Black	
Standard Pack: 500 per bag	
Part No.	Panel Thickness
HMCC-4-01BK	0.8 - 1.2
*Available in UL94 V0 material. To order, replace -01 with -19.	
Also available in natural color. To order, delete 'BK' from the end of the part number.	

**FOR FURTHER INFORMATION AND FREE SAMPLES PLEASE CONTACT YOUR LOCAL RICHCO OFFICE**



Richco UK (Int'l HQ) Tel: (44) 1474 327527

Richco Benelux Tel. (31) 334556262

Richco Germany Tel. (49) 8171 43280

Richco Finland Tel. (358) 925221500

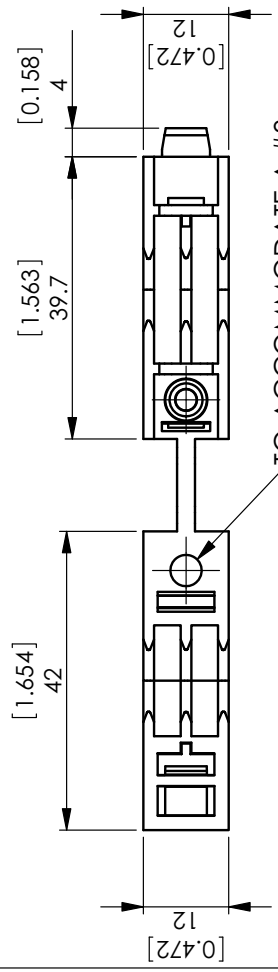
Richco France Tel: (33) 47208 7140

Richco Spain Tel. (34) 90222 2250

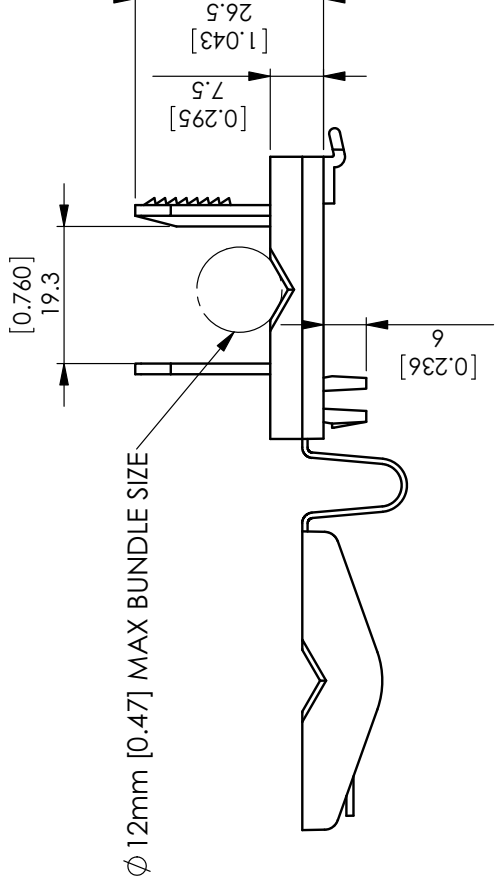
Richco Italy Tel. (39) 051 6325 266

Richco Sweden Tel. (46) 845 99800

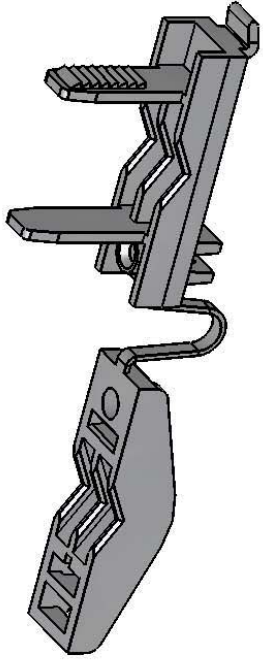
A B C D E F



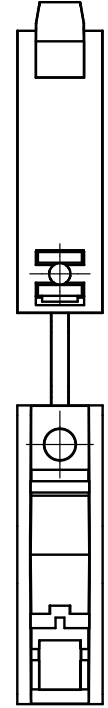
TO ACCOMMODATE A #8 OR M4 SELF TAPPING SCREW



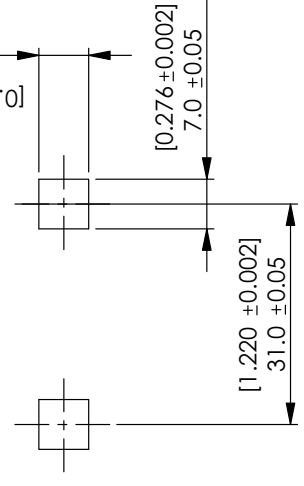
Ø 12mm [0.47] MAX BUNDLE SIZE



- NOTES:
- 1) NATURAL COLOUR AVAILABLE BY SPECIAL ORDER. TO ORDER, DELETE 'BK' FROM THE PART NUMBER.
  - 2) UL94 V0 MATERIAL AVAILABLE BY SPECIAL ORDER. TO ORDER, REPLACE -01 WITH -19BK (FOR BLACK) OR -19(FOR NATURAL).



MOUNTING HOLE DETAILS



MATERIAL: NYLON 6/6 UL94 V-2 (RMS-01) COLOUR: BLACK	PANEL THICKNESS
HMCC-4-01BK	0.8 - 1.2 [0.032 - 0.047]

REV	MODIFICATION	DATE	DRN
F	HMCC-5 ADDED	19/10/07	I.C
G	RATCHET PROFILE MODIFIED	26/10/07	I.C
H	BASE CORED OUT TO 1.5 THK	13/11/07	I.C
I	HINGE PROFILE MODIFIED	30/11/07	I.C
01	PRODUCTION RELEASED	18/12/07	I.C
02	ECN2008-012	18/12/07	S.F
03	CO2010144	19/03/08	I.C

INFORMATION CONTAINED IN THIS DOCUMENT IS CONFIDENTIAL TO RICHCO INTERNATIONAL Co. Ltd. AND MAY NOT BE DISCLOSED OR REPRODUCED IN WHOLE OR PART WITHOUT THEIR WRITTEN CONSENT.

ALL DIMENSIONS IN mm  
GENERAL TOLERANCES ±0.25  
UNLESS OTHERWISE STATED  
1 DECIMAL PLACE ±0.25  
2 DECIMAL PLACES ± 0.10  
ANGULAR ±1°

THIRD ANGLE

MATERIAL: SEE TABLE  
COLOUR: SEE NOTE

DESCRIPTION: HINGED MAINS CABLE CLAMP  
PART No: HMCC-4

DRG No: 07-102S  
NPR No: 2006-067  
MASS: 5.5g  
SHEET SIZE: A4

DRN I.C  
DATE 19/10/07  
CHKD S.F  
DATE 18/12/07  
SCALE 1:1  
SHEET No. 1 OF 1

FORM No. 0178/00