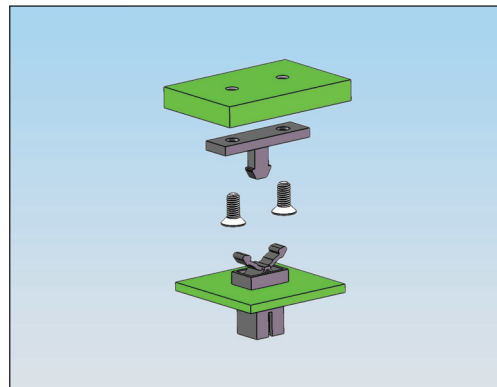


Introducing the STRIKER for DL-1 LATCH

Part number: **DLS-2**

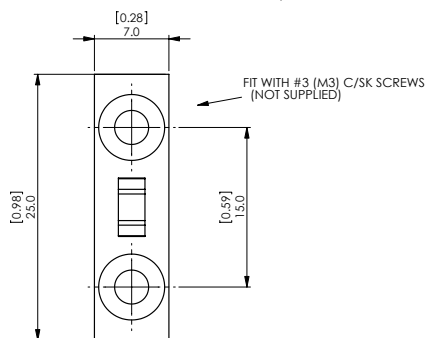
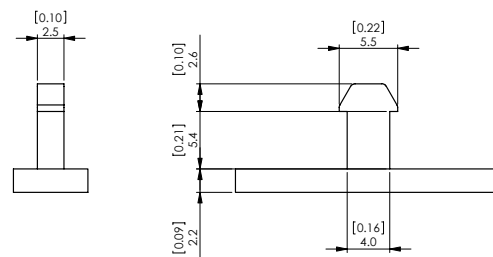
Features & Benefits:

- Designed for the DL-1 latch
- The striker engages with the latch to securely lock the door
- The striker is mounted with a base and fits with #3 (M3) C/SK screws (not supplied)
- Only 7mm width to save space



Markets:

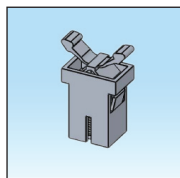
- Medical apparatus
- Furniture industry
- Telecommunication
- Electronical appliances
- Heating ventilation and air-conditioning



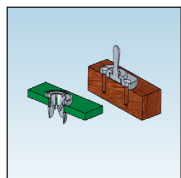
Material: Acetal (RMS 14), Colour: Black	Standard Pack: 500 per bag
Part No.	DLS-2



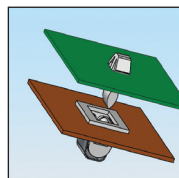
Other related Richco product solutions:



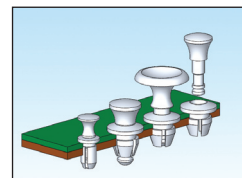
DL-1



CS



DCS



SLG/SLPL

FOR FURTHER INFORMATION AND FREE SAMPLES PLEASE CONTACT YOUR LOCAL RICHCO OFFICE

Richco UK (Int'l HQ) Tel: (44) 1474 327527

Richco Benelux Tel: (31) 334556262

Richco Germany Tel: (49) 8171 43280

Richco Finland Tel: (358) 925221500

Richco France Tel: (33) 47208 7140

Richco Spain Tel: (34) 90222 2250

Richco Italy Tel: (39) 051 6325 266

Richco Sweden Tel: (46) 845 99800



A

B

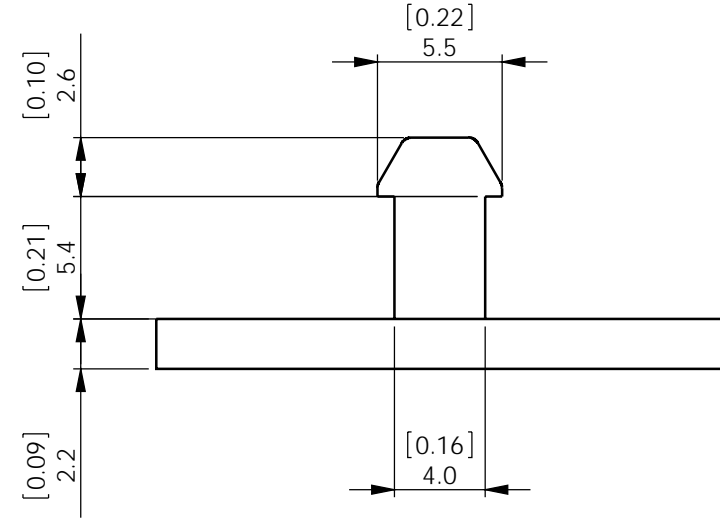
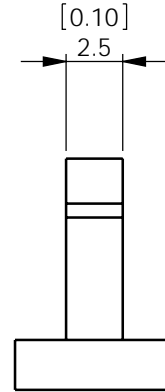
C

D

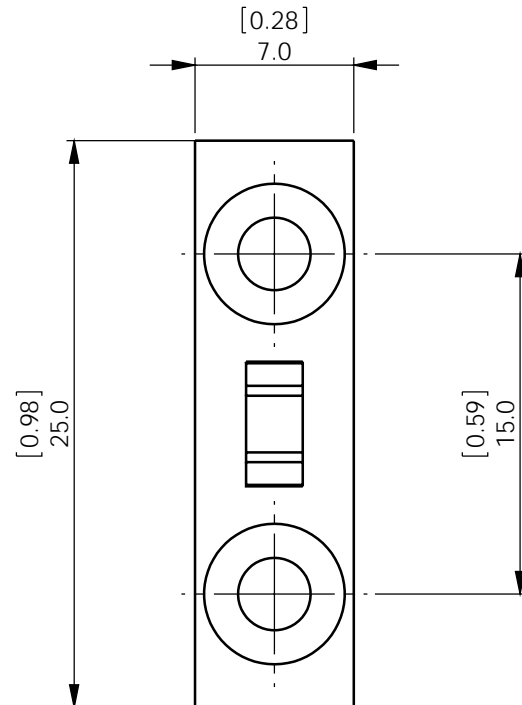
E

F

REV	MODIFICATION	DATE	DRN
01	Production release	26/06/07	SF
02	ECN2008-024	04/02/08	TC



← FIT WITH #3 (M3) C/SK SCREWS
(NOT SUPPLIED)



FOR USE WITH RICHCO
DOOR LATCH PART No 'DL-1'

INFORMATION CONTAINED IN THIS DOCUMENT IS CONFIDENTIAL TO RICHCO INTERNATIONAL Co. Ltd. AND MAY NOT BE DISCLOSED OR REPRODUCED IN WHOLE OR PART WITHOUT THEIR WRITTEN CONSENT.



ALL DIMENSIONS IN mm & [INCH]
GENERAL TOLERANCES ±0.25 [.010] THIRD ANGLE
UNLESS OTHERWISE STATED
1 DECIMAL PLACE ±0.25 [.010]
2 DECIMAL PLACES ± 0.10 [.004]
ANGULAR ±1°

MATERIAL:
ACETAL (RMS 14)

COLOUR:
BLACK

DESCRIPTION:
DOOR LATCH STRIKER

PART No:
DLS-2

DRG No:
07-058

NPR No:
2007-262

Mass:(g) SHEET SIZE
0.6 A4

DRN DATE
SF 26/06/07

CHKD DATE
OW 26/06/07

SCALE SHEET No.
4:1 1 OF 1

A

B

C

D

E