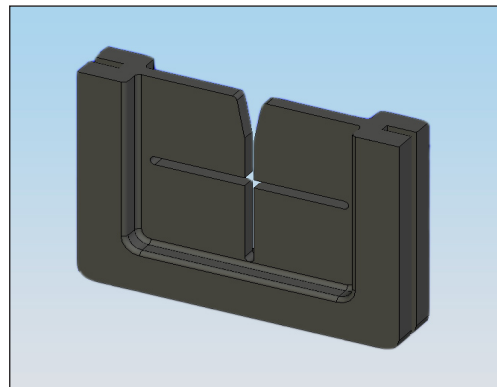


## Introducing the RECTANGULAR CABLE GROMMET

Part number: **CGA-1**

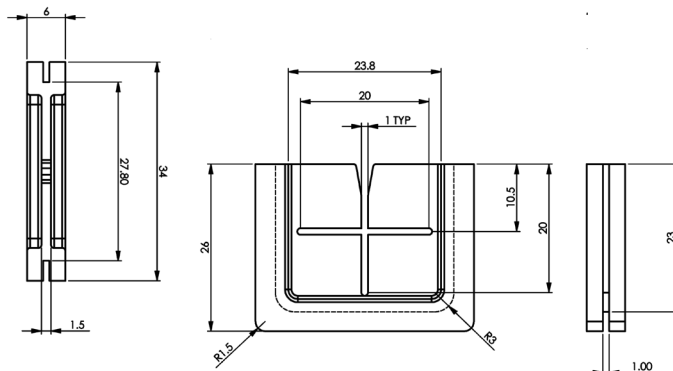
### Features & Benefits:

- Open top design allows top entry of wire bundle and retro-fit on pre-assembled harnesses
- Wings adjust to accept various diameters and shapes
- Up to 15mm bundle diameter
- Shore Hardness - Shore A 70±5
- Requires 1mm panel thickness
- Continuous working temperature: 150 C°



### Markets:

- White goods
- Electronic enclosures
- Vending machines
- Telecommunication
- Heating ventilation and air-conditioning

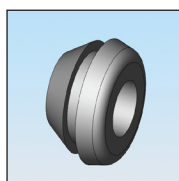


Material: Silicone Rubber, Colour: Black	Standard Pack: 1000 per bag	Panel Thickness "P"	Hole Size Width	Hole Size Height	Max. Holding Bundle Diameter
Part No.	CGA-1	1	28	23	15

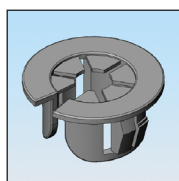
all dimensions in mm



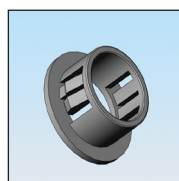
### Other related Richco product solutions:



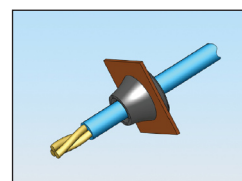
**QFG**



**PGSC**



**PGSB**



**LTG**

**FOR FURTHER INFORMATION AND FREE SAMPLES PLEASE CONTACT YOUR LOCAL RICHCO OFFICE**

Richco UK (Int'l HQ) Tel: (44) 1474 327527

Richco Benelux Tel: (31) 334556262

Richco Germany Tel: (49) 8171 43280

Richco Finland Tel: (358) 925221500

Richco France Tel: (33) 47208 7140

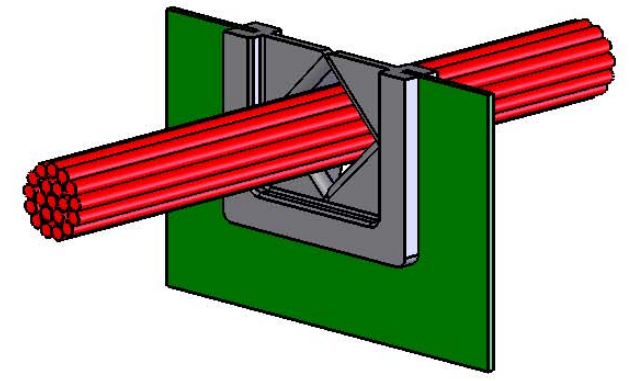
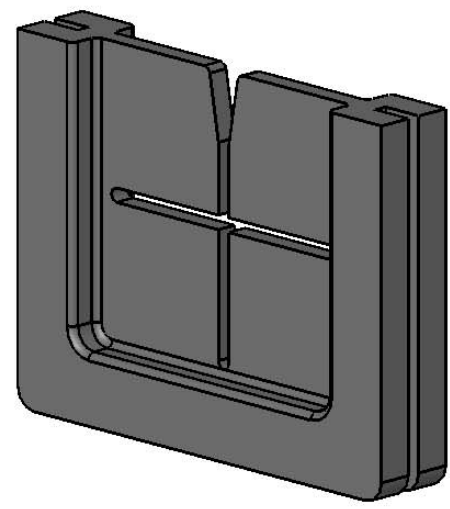
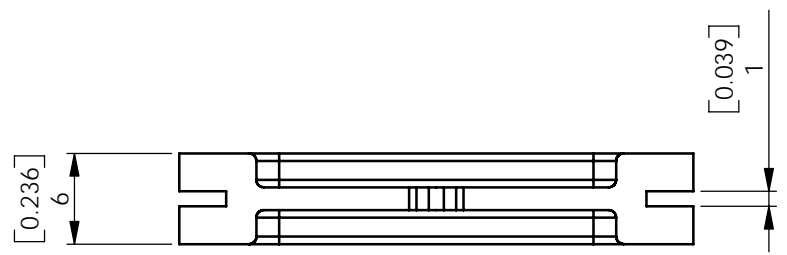
Richco Spain Tel: (34) 90222 2250

Richco Italy Tel: (39) 051 6325 266

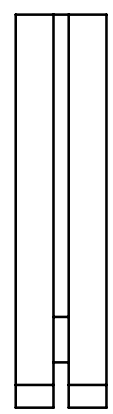
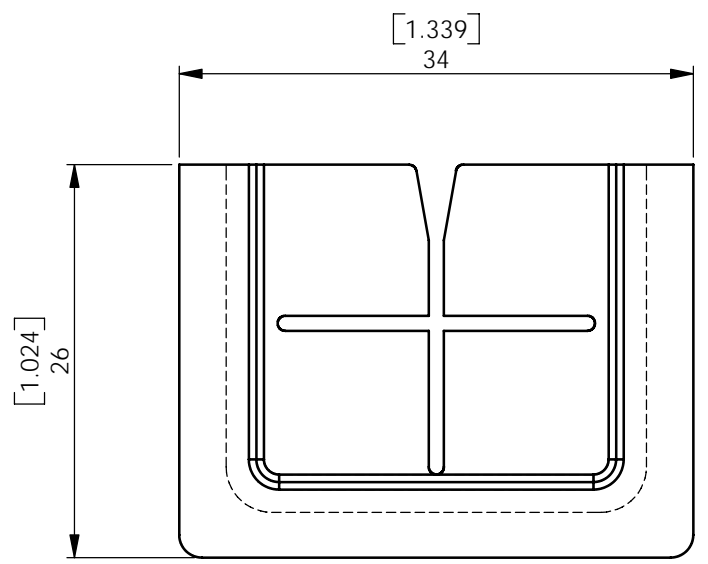
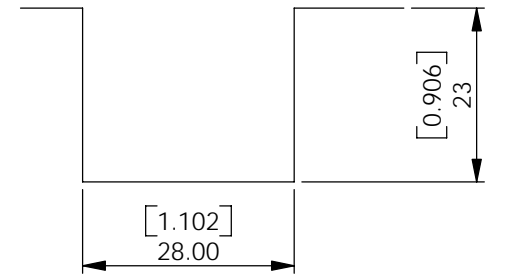
Richco Sweden Tel: (46) 845 99800




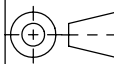
REV.	MODIFICATION.	DATE	DRN
01	NEW SALES DRG	24/04/08	MT



CUT OUT DETAILS  
PANEL THICKNESS 1.0mm



NOTES:  
TEMPERATURE RESISTANCE: 150 °C  
MAX BUNDLE Ø 15mm

INFORMATION CONTAINED IN THIS DOCUMENT IS CONFIDENTIAL TO RICHCO INTERNATIONAL Co. Ltd. AND MAY NOT BE DISCLOSED OR REPRODUCED IN WHOLE OR PART WITHOUT THEIR WRITTEN CONSENT.			
		METRIC PRIMARY UNITS:mm IMPERIAL SECONDARY UNITS:[inches] GENERAL TOLERANCES ±0.25 [0.010] UNLESS OTHERWISE STATED 1 DECIMAL PLACE ± 2 DECIMAL PLACES ± ANGULAR ±1°	THIRD ANGLE 
MATERIAL: HIGH TEMP RUBBER. SHORE A 70+/- 5 (RMS-378)		COLOUR: BLACK	
DESCRIPTION: CABLE GROMMET		PART No: CGA-1	
DRG No: 05-066	NPR No: 2004-241	WEIGHT: 3.3	SHEET SIZE A4
DRN MT	DATE 24/04/08	CHKD BO	DATE 21/05/08
SCALE NTS		SHEET No. 1 OF 1	