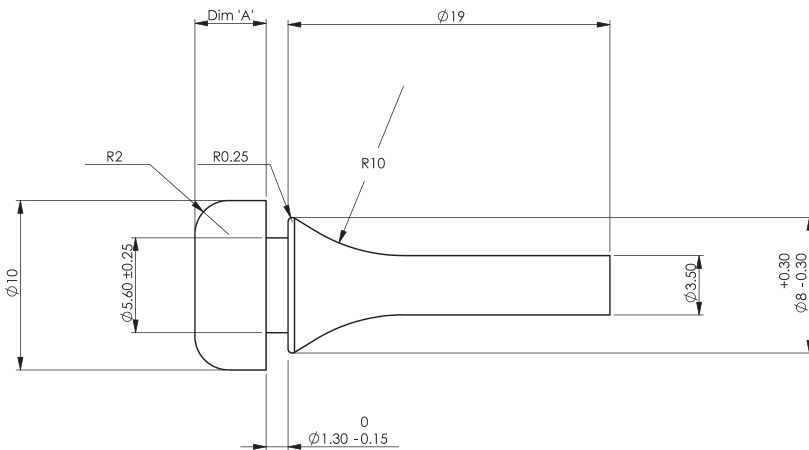
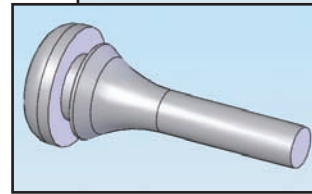
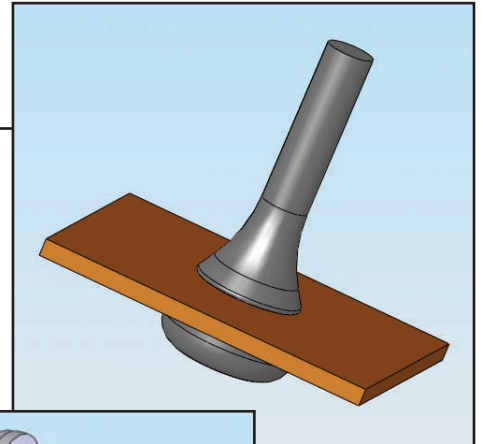


Introducing the *BPM*— Pull Mount Bumper

Features and Benefits

- Easily installed by pulling the foot through a panel hole
- No tools or mounting hardware necessary
- Pull mount end can be cut off after application to save space
- Rubber material provides shock and vibration protection and skid resistance
- High temperature resistance -55° to 250°C
- RoHS Compliant



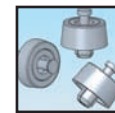
Markets

- Consumer Electronics
- Office Equipment
- White Goods
- Furniture
- Telecommunications
- Medical Equipment

Other Related Richco Product Solutions



POF



SFF



RBS



SVF



SOF

Material: Silicone Rubber, RMS-321		Standard Pack: 1,000 per bag		
Part No.	"A"	Color	Hole Dia.	Panel Thickness
BPM-1	3 ± 0.25	Gray	6 - 6.35	1.5
BPM-2	4.2 ± 0.25	Black		
BPM-3	5 ± 0.25	Black		

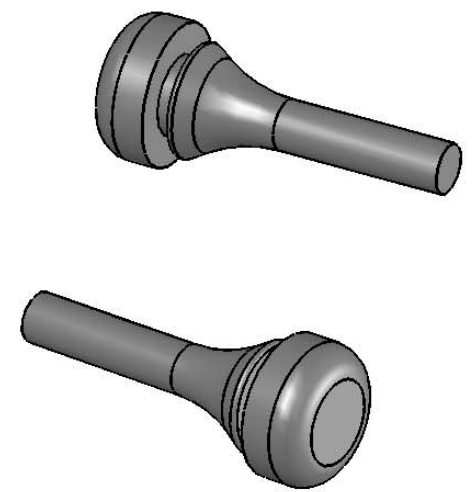
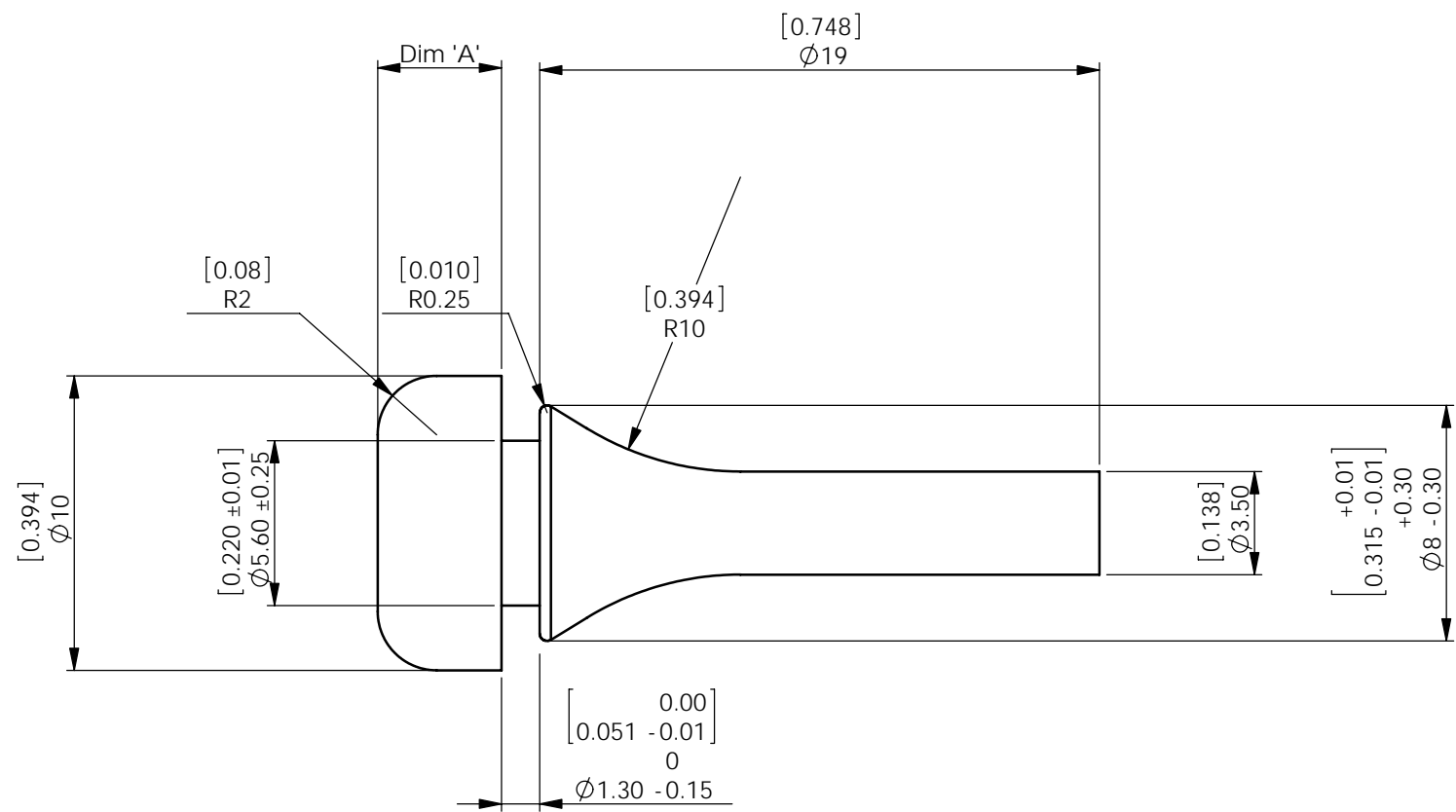
FOR FURTHER INFORMATION AND FREE SAMPLES PLEASE CONTACT YOUR LOCAL RICHCO OFFICE

Richco UK (Int'l HQ) Tel: (44) 1474 327527
 Richco Benelux Tel: (31) 334556262
 Richco Germany Tel: (49) 8171 43280
 Richco Finland Tel: (358) 925221500

Richco France Tel: (33) 47208 7140
 Richco Spain Tel: (34) 90222 2250
 Richco Italy Tel: (39) 051 6325 266
 Richco Sweden Tel: (46) 8667 9185



REV.	MODIFICATION.	DATE	DRN
01	PRODUCTION RELEASE	13/03/06	TC
02	ECR 2006-079	08/05/06	TC
03	CO-2010233	15/05/08	OW



NOTES!

- Material To Comply with RoHS legislation
- Fits hole diameter 6.0mm MIN, 6.35mm MAX panel thickness 1.5mm

INFORMATION CONTAINED IN THIS DOCUMENT IS CONFIDENTIAL TO RICHCO INTERNATIONAL Co. Ltd. AND MAY NOT BE DISCLOSED OR REPRODUCED IN WHOLE OR PART WITHOUT THEIR WRITTEN CONSENT.

	ALL DIMENSIONS IN mm & [INCHES] GENERAL TOLERANCES ±0.25 [±0.01] UNLESS OTHERWISE STATED 1 DECIMAL PLACE ±0.25 [±0.01] 2 DECIMAL PLACES ± 0.10 [± 0.004] ANGULAR ±1°	THIRD ANGLE
--	---	-----------------

Part No	'A' Dimension	Colour	RMS No
BPM-1	[.118 +/- 0.01] 3.0 +/- 0.25	Grey (Spec NCS 6010-B30G)	RMS-321
BPM-2	[.165 +/- 0.01] 4.2 +/- 0.25	Black	RMS-321
BPM-3BK	[.196 +/- 0.01] 5.0 +/- 0.25	Black	RMS-321

MATERIAL:		COLOUR:	
SILICONE RUBBER 65 +/- 5 SHORE A		SEE TABLE	
DESCRIPTION:		PART No:	
PULL MOUNT BUMPER		SEE TABLE	
DRG No:	NPR No:	Mass:(g)	SHEET SIZE
06-026	2004-340 - Grey 2004-341 - Black 2007-239 - Black	0.75 - 341 0.60 - 340	A4
DRN	DATE	CHKD	DATE
TC	14/10/05	TC	13/03/06
SCALE		SHEET No.	
NTS		1 OF 1	